

## AE2 EV Fuse



### FEATURES:

- 500 VDC automotive fuse
- Rated Current: 10-50 A
- Rated Breaking Capacity: 20 kA
- Time Constant: 2-3 ms
- Dimensions: 10x38 mm
- General purpose fuse for EV/HEV auxiliary protection
- Ref. to ISO 8820-8; GB/T 31465.6
- Approval: TÜV
- Recommended fuse holder: BH114

### ELECTRICAL SPECIFICATIONS

Part Number / Configurations				Rated	Ampere	Rated	Breaking	Certifications
Cartridge	Central Mount	Level Mount	PCB Mount	Current	Code	Voltage	Capacity	TÜV
AE22100607	AE22100604	AE22100605	AE22100606	10A	2100	500 VDC	20 kA@500 VDC	○
AE22150607	AE22150604	AE22150605	AE22150606	15A	2150			●
AE22200607	AE22200604	AE22200605	AE22200606	20A	2200			●
AE22250607	AE22250604	AE22250605	AE22250606	25A	2250			●
AE22300607	AE22300604	AE22300605	AE22300606	30A	2300			●
AE22350607	AE22350604	AE22350605	AE22350606	35A	2350			●
AE22400607	AE22400604	AE22400605	AE22400606	40A	2400			●
AE22500607	AE22500604	AE22500605	AE22500606	50A	2500			●

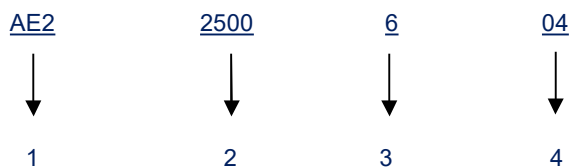
#### Note:

- (1) Percentage of change in fuse current carrying capability. Change in ambient temperature: -0.13 %/°C
- (2) Temperature Rise: ≤75 K at rated current; ≤45 K at 60 % of rated current
- (3) Operation Temperature Range: -40°C to +125°C

### TIME VS CURRENT CHARACTERISTIC

Rated Current	110%	135%	150%	200%	300%	500%
10-50 A	>4 h	150s - 1h	10-1000 s	0.5-100 s	0.1-15s	0.05-1 s

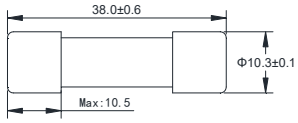
### PART NUMBER SYSTEM



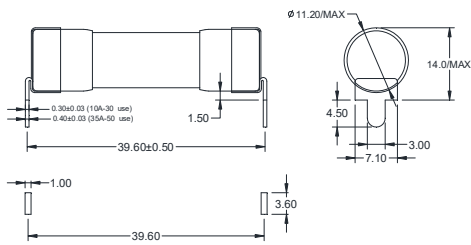
- 1 .....Product Series ..... AE2
- 2 ..... Ampere Code ..... 50A(see ampere code column of electrical specifications)
- 3 ..... Rated Voltage ..... 6 - 500V
- 4 ..... Supplementary Code ..... 04: Central Mount; 05: Level Mount; 06: PCB Mount; 07: Cartridge

**DIMENSIONS (mm)**

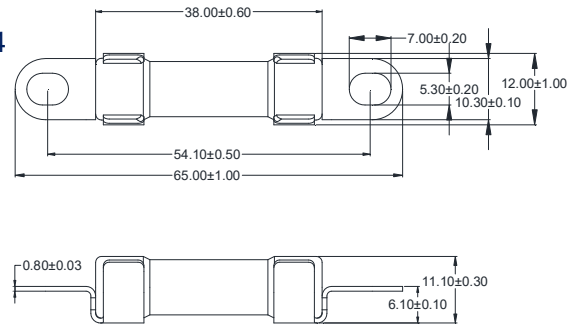
**AE2xxxx607**



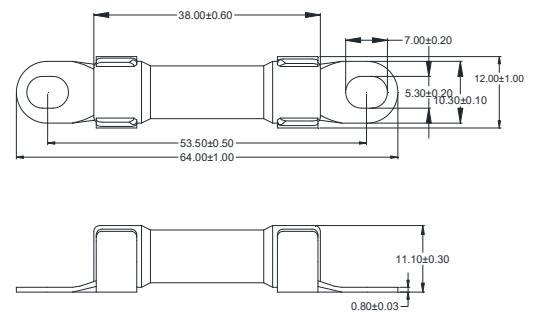
**AE2xxxx606**



**AE2xxxx604**



**AE2xxxx605**



**TIME CURRENT CURVE**

